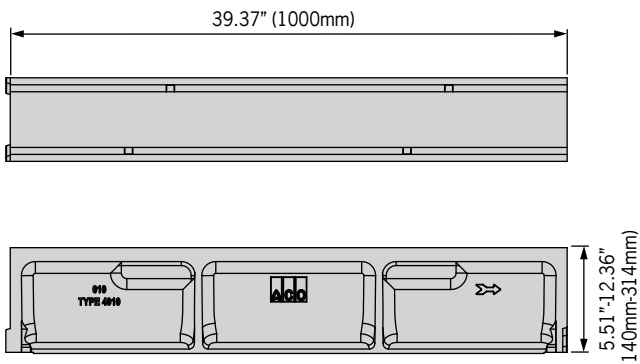
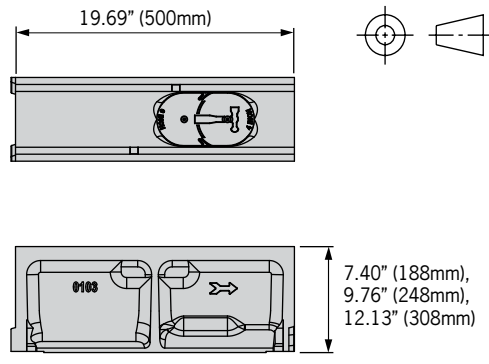


# NW100 channel system

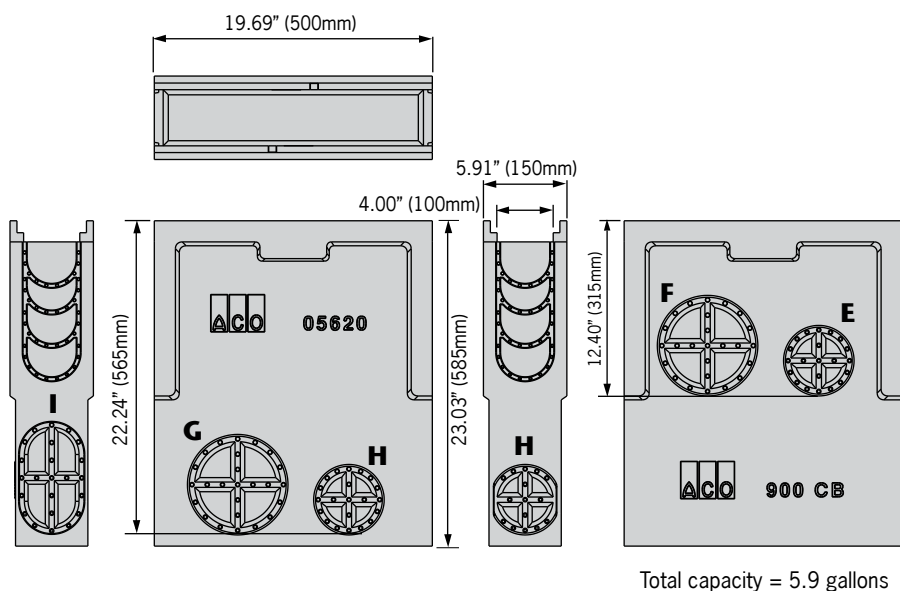
## One meter channel



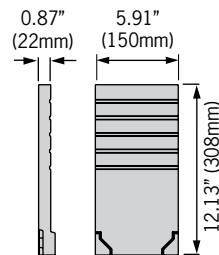
## Half meter channel



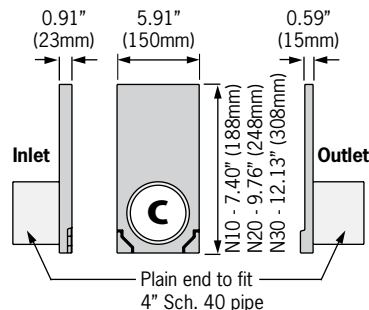
## In-line catch basin



## Closing cap



## 4" Inlet/outlet caps

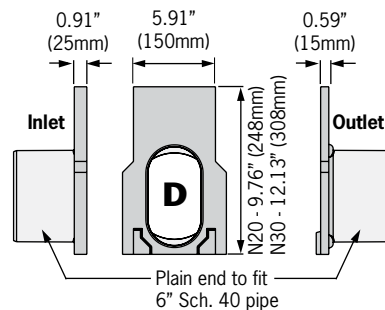


## Outlet flow rates

Outlet	Product	Outlet size (Sch. 40)	Invert Depth	GPM	CFS
A	Bottom outlet - N0103	4" round	6.50	117	0.26
A	Bottom outlet - N0303	4" round	11.22	185	0.41
B	Bottom outlet - N0103	6" oval	6.50	183	0.40
B	Bottom outlet - N0303	6" oval	11.22	288	0.64
C	Outlet cap - N10	4" round	6.50	119	0.27
C	Outlet cap - N30	4" round	11.22	168	0.39
D	Outlet cap - N20	6" oval	8.86	220	0.50
D	Outlet cap - N30	6" oval	11.22	248	0.57
E	N900* catch basin	4" round	12.40	175	0.40
F	N900* catch basin	6" round	12.40	379	0.87
G	N900* catch basin	6" round	22.24	530	1.22
H	N900* catch basin	4" round	22.24	242	0.54
I	N900* catch basin	6" oval	22.24	372	0.86

Note: These are the pipe flow rates at the specified outlet, NOT channel flow rates.  
 \* N900 flow rate without trash bucket - using trash bucket reduces flow

## 6" Oval Inlet/outlet caps



Supplied By:



877-903-7246

www.trenchdrainsupply.com

ACO Specification Information





ACO Specification Information

Description	Part No	Invert Depth		Overall Depth		Wgt lbs
		inches	mm	inches	mm	
N1 Sloped channel - 39.37" (1meter)	138001	4.61	117	5.51	140	32.0
<b>N02 Constant depth channel - 39.37" (1meter)</b>	<b>138031</b>	<b>4.61</b>	<b>117</b>	<b>5.51</b>	<b>140</b>	<b>32.9</b>
N2 Sloped channel - 39.37" (1meter)	138002	4.84	123	5.75	146	32.9
N3 Sloped channel - 39.37" (1meter)	138003	5.08	129	5.98	152	33.8
N4 Sloped channel - 39.37" (1meter)	138004	5.31	135	6.22	158	34.7
N5 Sloped channel - 39.37" (1meter)	138005	5.55	141	6.46	164	35.6
N6 Sloped channel - 39.37" (1meter)	138006	5.79	147	6.69	170	36.5
N7 Sloped channel - 39.37" (1meter)	138007	6.02	153	6.93	176	37.4
N8 Sloped channel - 39.37" (1meter)	138008	6.26	159	7.17	182	38.3
N9 Sloped channel - 39.37" (1meter)	138009	6.50	165	7.40	188	39.2
<b>N010 Constant depth channel - 39.37" (1meter)</b>	<b>138032</b>	<b>6.50</b>	<b>165</b>	<b>7.40</b>	<b>188</b>	<b>40.1</b>
<b>N0103 Constant depth channel - 19.69" (0.5meter)</b>	<b>138033</b>	<b>6.50</b>	<b>165</b>	<b>7.40</b>	<b>188</b>	<b>23.0</b>
N10 Sloped channel - 39.37" (1meter)	138010	6.73	171	7.64	194	40.1
N11 Sloped channel - 39.37" (1meter)	138011	6.97	177	7.87	200	41.0
N12 Sloped channel - 39.37" (1meter)	138012	7.20	183	8.11	206	41.9
N13 Sloped channel - 39.37" (1meter)	138013	7.44	189	8.35	212	42.8
N14 Sloped channel - 39.37" (1meter)	138014	7.68	195	8.58	218	43.7
N15 Sloped channel - 39.37" (1meter)	138015	7.91	201	8.82	224	44.6
N16 Sloped channel - 39.37" (1meter)	138016	8.15	207	9.06	230	45.5
N17 Sloped channel - 39.37" (1meter)	138017	8.39	213	9.29	236	46.4
N18 Sloped channel - 39.37" (1meter)	138018	8.62	219	9.53	242	47.3
N19 Sloped channel - 39.37" (1meter)	138019	8.86	225	9.76	248	48.2
<b>N020 Constant depth channel - 39.37" (1meter)</b>	<b>138034</b>	<b>8.86</b>	<b>225</b>	<b>9.76</b>	<b>248</b>	<b>49.1</b>
<b>N0203 Constant depth channel - 19.69" (0.5meter)</b>	<b>138035</b>	<b>8.86</b>	<b>225</b>	<b>9.76</b>	<b>248</b>	<b>26.0</b>
N20 Sloped channel - 39.37" (1meter)	138020	9.09	231	10.00	254	49.1
N21 Sloped channel - 39.37" (1meter)	138021	9.33	237	10.24	260	50.0
N22 Sloped channel - 39.37" (1meter)	138022	9.57	243	10.47	266	50.9
N23 Sloped channel - 39.37" (1meter)	138023	9.80	249	10.71	272	51.8
N24 Sloped channel - 39.37" (1meter)	138024	10.04	255	10.94	278	52.7
N25 Sloped channel - 39.37" (1meter)	138025	10.28	261	11.18	284	53.6
N26 Sloped channel - 39.37" (1meter)	138026	10.51	267	11.42	290	54.5
N27 Sloped channel - 39.37" (1meter)	138027	10.75	273	11.65	296	55.6
N28 Sloped channel - 39.37" (1meter)	138028	10.98	279	11.89	302	56.5
N29 Sloped channel - 39.37" (1meter)	138029	11.22	285	12.13	308	57.4
<b>N030 Constant depth channel - 39.37" (1meter)</b>	<b>138036</b>	<b>11.22</b>	<b>285</b>	<b>12.13</b>	<b>308</b>	<b>58.3</b>
<b>N0303 Constant depth channel - 19.69" (0.5meter)</b>	<b>138037</b>	<b>11.22</b>	<b>285</b>	<b>12.13</b>	<b>308</b>	<b>31.0</b>
N30 Sloped channel - 39.37" (1meter)	138030	11.46	291	12.36	314	59.2
<b>Catch basin</b>						
N900 In-line catch basin - 19.69" (0.5m)	05620	22.13	562	23.03	585	62.0
N900 QuickLok bar (removable)	98717	-	-	-	-	0.1
Series 900 plastic trash bucket	01498	-	-	-	-	1.1
6" oval to round adapter (fits outlets B & I)	95140	-	-	-	-	1.1
<b>Accessories</b>						
Debris strainer for 4" bottom knockout (fits outlet A)	93488	-	-	-	-	0.2
N306 closing cap	137090	-	-	12.13	308	4.5
N104-4 Inlet cap with 4" schedule 40 pipe	137091	6.50	165	7.40	188	2.6
N108-4 Outlet cap with 4" schedule 40 pipe	137092	6.50	165	7.40	188	2.0
N204-4 Inlet cap with 4" schedule 40 pipe	137093	8.86	225	9.76	248	3.7
N208-4 Outlet cap with 4" schedule 40 pipe	137094	8.86	225	9.76	248	2.6
N204-6 Inlet end cap with 6" schedule 35 pipe	137099	8.86	225	9.76	248	3.3
N208-6 Outlet end cap with 6" schedule 35 pipe	137095	8.86	225	9.76	248	2.6
N304-4 Inlet cap with 4" schedule 40 pipe	137096	11.22	285	12.13	308	4.6
N308-4 Outlet cap with 4" schedule 40 pipe	137097	11.22	285	12.13	308	3.3
N304-6 Inlet end cap with 6" schedule 35 pipe	137100	11.22	285	12.13	308	4.4
N308-6 Outlet end cap with 6" schedule 35 pipe	137098	11.22	285	12.13	308	3.3
Installation device (order one per channel plus one)	97477	-	-	-	-	2.8

**Notes:**

1. Preformed 4" dia. & 6" flumed drill-out outlet cast on underside of half meter channels only.
2. Closing cap can be cut down to suit all channels.
3. Invert depths are at the male (downstream) end - subtract 0.24" (6mm) for female invert depth EXCEPT constant depth channels where the invert is the same both ends.

**Specifications**

*General*

The surface drainage system shall be ACO Drain NW100 complete with gratings secured with 'QuickLok' locking as manufactured by ACO, Inc. or equal approved.

*Materials*

The trench system bodies shall be manufactured from polyester polymer concrete with minimum properties as follows:

- Compressive strength: 14,000 psi
- Flexural strength: 4,000 psi
- Water absorption 0.07%
- Frost proof
- Salt proof
- Dilute acid and alkali resistant

The nominal clear opening shall be 4.00" (100mm) with overall width of 5.91" (150mm). Pre-cast units shall be manufactured with either an invert slope of 0.6% or with a constant depth invert and have a wall thickness of at least 0.50" (13mm). Each unit will feature a full radius in the trench bottom and a male to female interconnecting end profile. Units shall have horizontal cast in anchoring features on the outside wall to ensure maximum mechanical bond to the surrounding bedding material and pavement surface.

*Grates*

Grates with QuickLok lockings should be specified separately. Choose appropriate grate from ACO Spec Info grate sheets for details. After removal of gratings and 'QuickLok' bar there shall be uninterrupted access to the trench to aid maintenance.

*Installation*

The trench drain system shall be installed in accordance with the manufacturer's installation instructions and recommendations.

Supplied By:  
  
 877-903-7246  
 www.trenchdrainsupply.com

**ACO, Inc.**

**West Sales Office**  
 825 W Beechcraft Street  
 Casa Grande, AZ 85122  
 Tel: (520) 421-9988  
 Toll Free: (888) 490-9552  
 Fax: (520) 421-9899

**Northeast Sales Office**  
 9470 Pinecone Drive  
 Mentor, OH 44060  
 Tel: (440) 639-7230  
 Toll free: (800) 543-4764  
 Fax: (440) 639-7235

**Southeast Sales Office**  
 4211 Pleasant Road  
 Fort Mill, SC 29708  
 Toll free: (800) 543-4764  
 Fax: (803) 802-1063



**Electronic Contact:**  
 info@ACODrain.us  
 www.ACODrain.us



© April 2018 ACO, Inc. This information is believed to be accurate but it is not guaranteed to be so. We cannot assume liability for results that buyer obtains with our product since conditions of use are beyond the control of the company. It is the customer's responsibility to evaluate suitability and safety of product for his own use. ACO, Inc. reserves the right to change the product and specifications without notice. Re-order DL086